

## 蓝牙连接

- \* 连接过的设备下次使用会自动连接

## Android

1. 按住 [START] 键 1 秒开启手柄, 蓝色指示灯 1 下 / 次闪烁。
  2. 按住 [SELECT] 键 3 秒进入配对状态, 蓝色指示灯快速闪烁。
  3. 打开 Android 设备蓝牙, 搜索 [8Bitdo xx GamePad] 设备, 点击连接, 连接成功后蓝色指示灯常亮。
- \* USB 有线连接: 请在第 1 步开启手柄之后, 用 USB 线连接设备

## Windows

1. 按住 [START+X] 键 1 秒开启手柄, 蓝色指示灯 2 下 / 次闪烁。
  2. 按住 [SELECT] 键 3 秒进入配对状态, 蓝色指示灯快速闪烁。
  3. 打开 Windows 设备蓝牙, 搜索 [8Bitdo xx GamePad(x)] 设备, 点击连接, 连接成功后蓝色指示灯常亮。
- \* USB 有线连接: 请在第 1 步开启手柄之后, 用 USB 线连接设备

## macOS

1. 按住 [START+A] 键 1 秒开启手柄, 蓝色指示灯 3 下 / 次闪烁。
  2. 按住 [SELECT] 键 3 秒进入配对状态, 蓝色指示灯快速闪烁。
  3. 打开 macOS 设备蓝牙, 搜索 [Wireless Controller] 设备, 点击连接, 连接成功后蓝色指示灯常亮。
- \* USB 有线连接: 请在第 1 步开启手柄之后, 用 USB 线连接设备

## Switch

1. 按住 [START+Y] 键 1 秒开启手柄, 蓝色指示灯 4 下 / 次闪烁。
  2. 按住 [SELECT] 键 3 秒进入配对状态, 蓝色指示灯快速闪烁。
  3. 打开 Switch 主机 Controllers 设置, 进入 Change Grip/Order 界面, 等待手柄连接, 连接成功后蓝色指示灯常亮。
- \* 连接完成后, SELECT+DOWN 组合键为 Switch 主机的 HOME 键

## 电池

电量状态	显示灯状态
低电量	红灯闪烁
充电中	绿灯闪烁
充电完成	绿灯熄灭

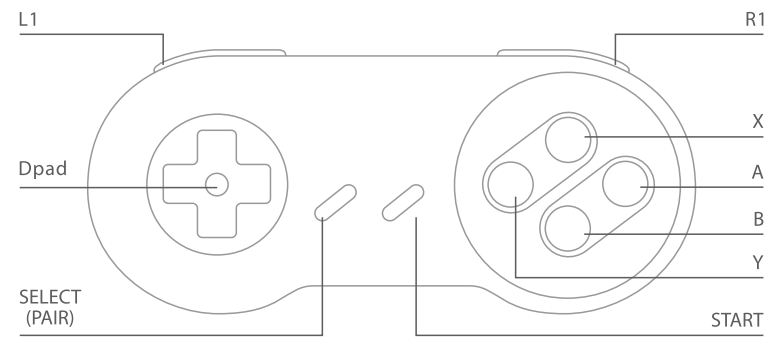
- \* 内置 480mAh 锂电池, 可持续使用约 18 小时
- \* 可使用配备的 USB 线进行充电, 充电时间约 1~2 小时
- \* 按住 [START] 键 8 秒可强制关机

## 自动休眠

1. 使用蓝牙连接时, 1 分钟内未连接蓝牙或连接后 15 分钟无操作时将进入自动休眠状态。
  2. 使用 USB 连接时, 手柄会保持连接不休眠。
- \* 休眠时按 START 键唤醒手柄

## 固件升级

- \* 请访问 <http://support.8bitdo.cn> 了解详细信息。



## Bluetooth Connection

- Controllers will auto reconnect to your devices once they have been paired.

## Android (D-Input)

1. Press and hold START for 1 second to power on the controller, LED will blink once per cycle.
  2. Press and hold SELECT for 3 seconds to enter pairing mode. Blue LED will rapidly blink.
  3. Go to your Android device's Bluetooth setting, pair with [8Bitdo xx GamePad].
  4. LED will be solid blue when connection is successful.
- USB Connection: connect your 8Bitdo controller to your Android device via USB Cable after step 1.

## Windows (X-Input)

1. Press and hold START + X for 1 second to power on the controller, LED will blink twice per cycle.
  2. Press and hold SELECT for 3 seconds to enter pairing mode. Blue LED will rapidly blink.
  3. Go to your Windows device's Bluetooth setting, pair with [8Bitdo xx GamePad(x)].
  4. LED will be solid blue when connection is successful.
- USB Connection: connect your 8Bitdo controller to your Windows device via USB Cable after step 1.

## macOS

1. Press and hold START + A for 1 second to power on the controller, LED will blink three times per cycle.
  2. Press and hold SELECT for 3 seconds to enter pairing mode. Blue LED will rapidly blink.
  3. Go to your macOS device's Bluetooth setting, pair with [Wireless Controller].
  4. LED will be solid blue when connection is successful.
- USB Connection: connect your 8Bitdo controller to your macOS device via USB Cable after step 1.

## Switch (by default)

1. Press and hold START + Y for 1 second to power on the controller, LED will blink four times per cycle.
  2. Go to your Switch Home Page to click on Controllers, then click on Change Grip/Order.
  3. Press and hold SELECT for 3 seconds to enter pairing mode. Blue LED will rapidly blink.
  4. LED will be solid blue when connection is successful.
- When connected to your Switch, DOWN + SLECT = Switch HOME button.

## Battery

Status	LED Indicator
Low battery mode	LED blinks in red
Battery charging	LED blinks in green
Battery fully charged	LED stops blinking in green

- Built-in 480 mAh Li-on with 18 Hours of play time.
- Rechargeable via USB cable with 1 – 2 hour charging time.
- Press START for 8 second to force turn off your controller.

## Power Saving

1. Sleep mode - 1 minute with no Bluetooth connection.
  2. Sleep mode - 15 minutes with Bluetooth connection but no use.
- Press START to wake up your controller.

## Support

- Please visit <http://support.8bitdo.com> for further information and additional support.